

# PM TLSHX C

## PRISM Shower Range Prism Exposed Twinline Dual Control Shower with Kit



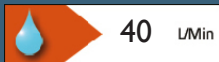
### Specification

Finish/Colour:	Chrome Plated
Main Construction Material:	Brass
No of Controls:	2
Shower Type:	Ceiling Fed
Shower Head Type:	Adjustable Handset
Valve/Cartridge Type:	Thermostatic Cartridge
Maximum Hot Water Supply Temperature °C:	65
Maximum Static Pressure: (bar)	10
Plumbing System Suitability:	All, preferably balanced
Minimum Dynamic Pressure:	0.1 bar
Connection Inlet:	15mm Compression Connections
Connection Outlet:	G 1/2"
Isolation Valve Included:	No
Check Valve Included:	Yes

### Features:

- 15mm inlet connections
- Dual control - flow and temperature are controlled separately
- Thermostatic cartridge with preset temperature stop at 43°C
- Cold water feed surrounds the hot water to ensure the pipework is safe to touch by all the family
- Fits onto existing tiled walls, with connections made in the ceiling

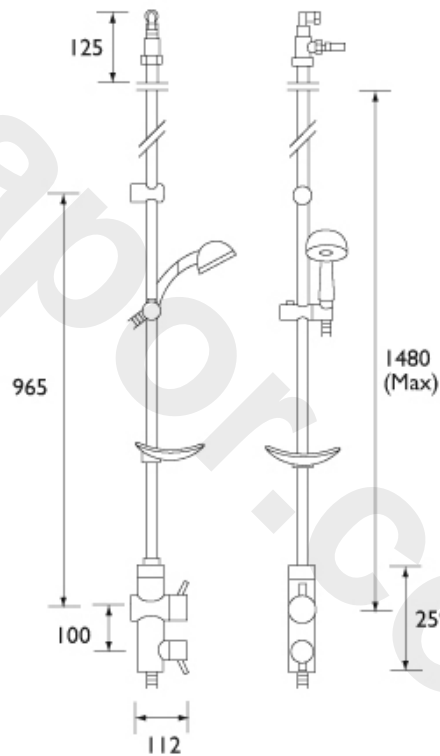
### Product Certifications:



For more products, visit our website:  
<http://www.bristan.com>



### Dimensions (measurements in mm)



### Flow Rates (l/min)

System Pressure (bar)	0.1	0.5	1	2	3	5
Through Handset	7.30	16.5	22	31	40	52.1
Through Handset (Flow Limiters)	-	11	11	11	11	11

## TECHNICAL DATA SHEET



# BRISTAN

D4